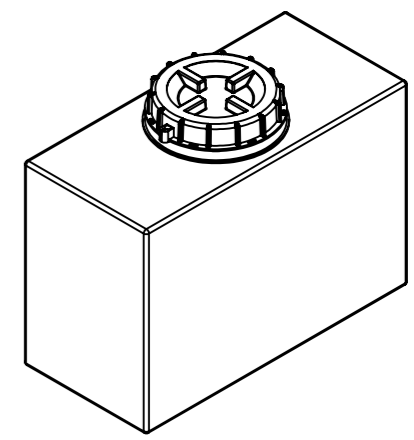
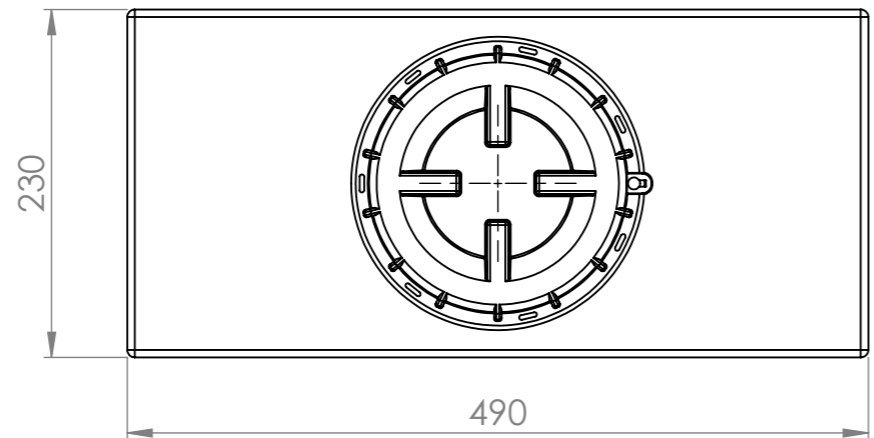
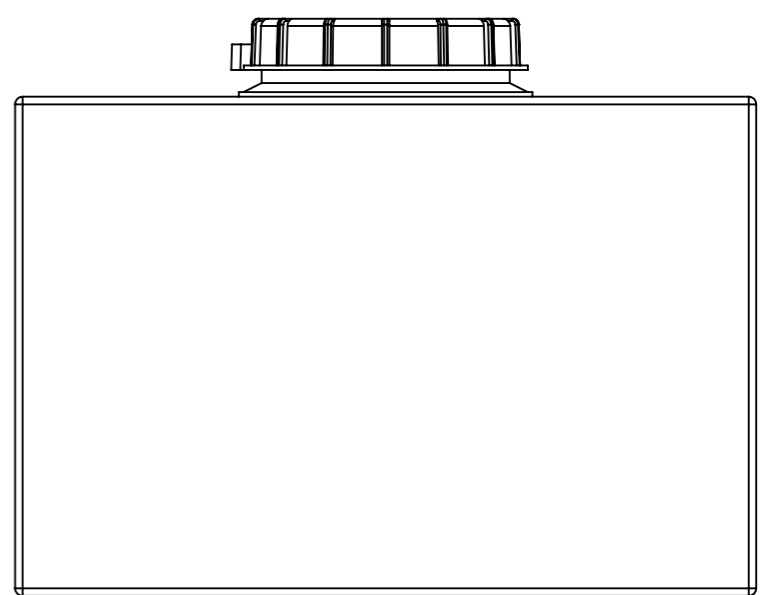
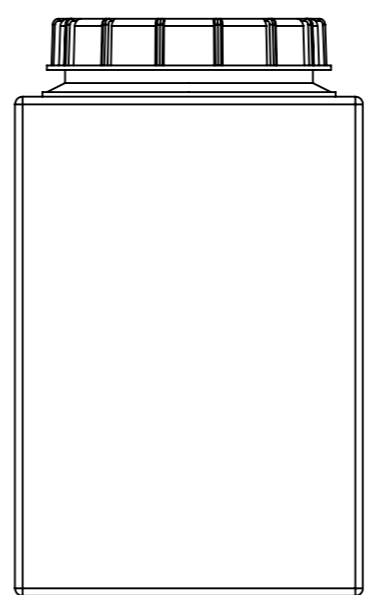
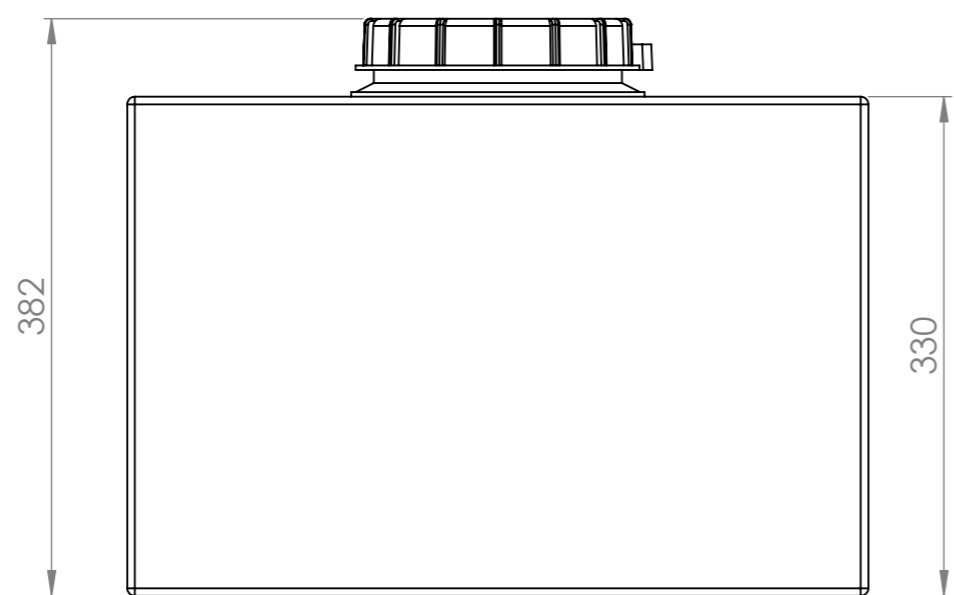
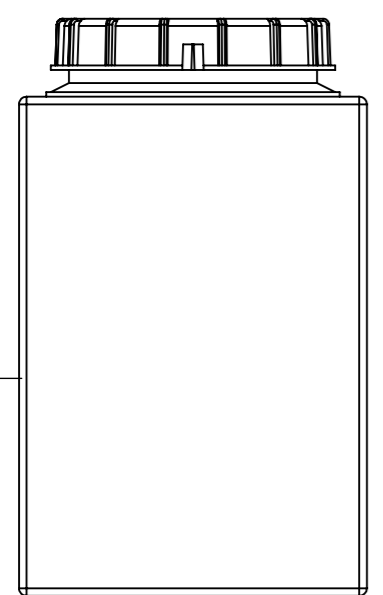
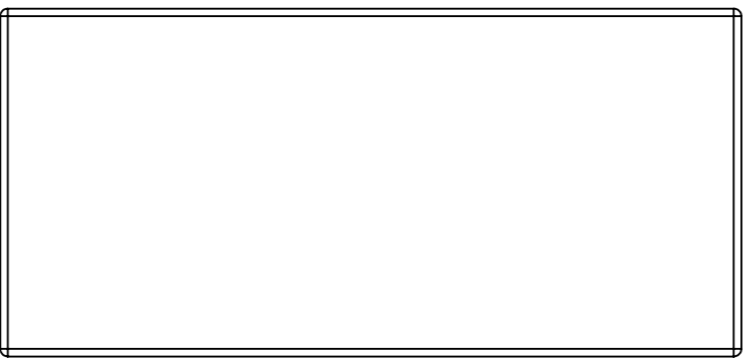


REVISIONS				
ZONE	REV.	DESCRIPTION	DATE	APPROVED
	A	Made a new drawing and updated teh view. M.P	30.04.2013	
	B	Updated to all views	10.09.2020	GEP



Generelle toleranser om ikke annet er oppgitt på tegning	Tilatte avvik for måleområde. Gjelder ved +20°C				
General tolerances if not other stated on drawing	Permissible deviations for basic length size range. Valid +20°C				
	0-20	>20-75	>75-150	>150-300	>300
	±0,5mm	±1mm	±1,5mm	±1,3%	±1%

Constructed by - date M.P 30.04.2013	Evaluated by GEP	Approved by - date GEP 10.09.2020	General Tolerances NS-ISO 2768-1	LDPE	Finish, Ra	View 	Scale 1:5
Owner 		Titel/Description 20031 Rekt.beholder 30 L		Drawing number 745 -34	Revision B	Sheet size A3	Sheet 1(1)